



























































































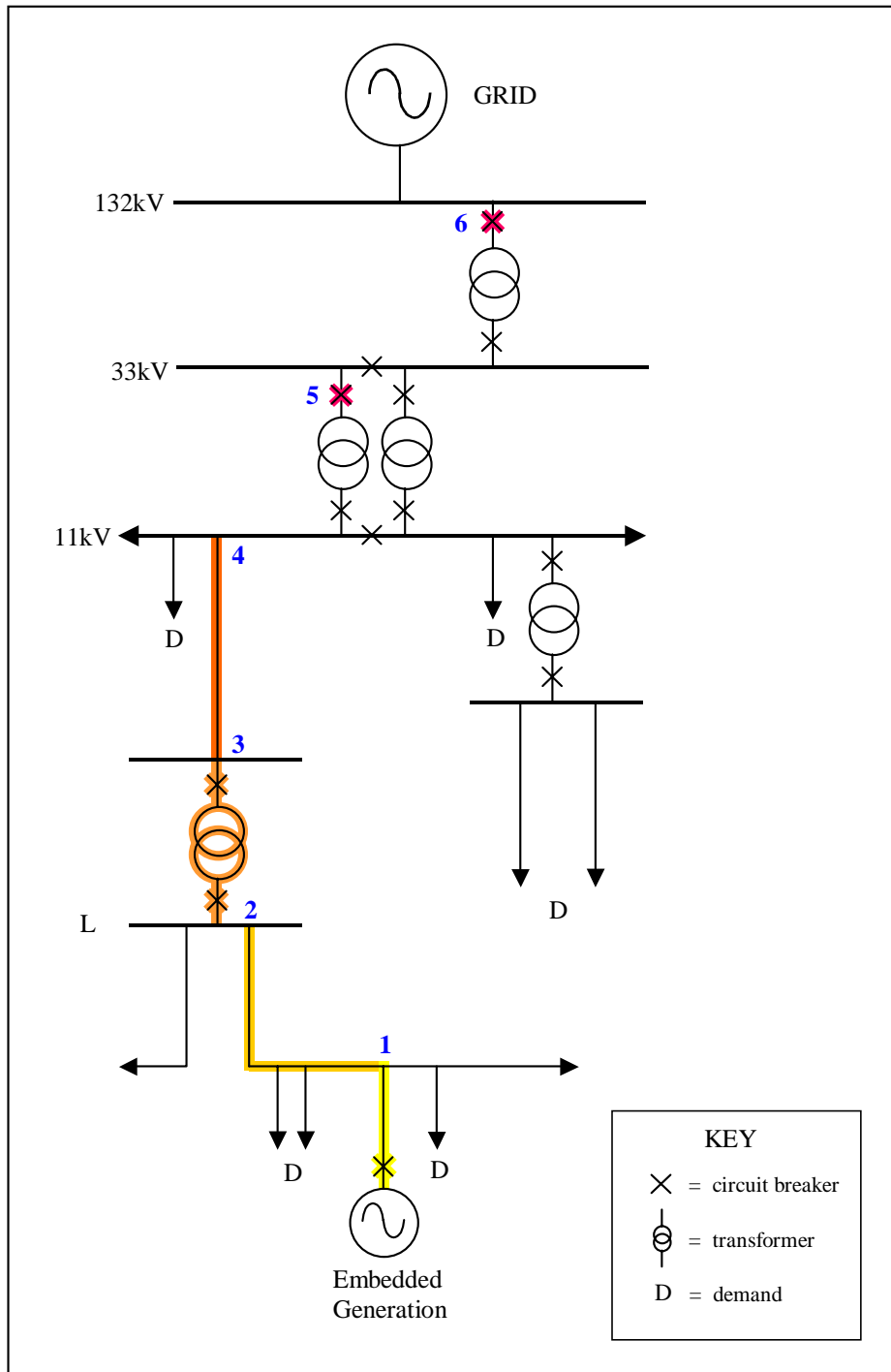








Figure 6-1 – Diagram showing categories of network asset.



---

**APPENDIX B**  
Summary of jurisdictional arrangements

---



















